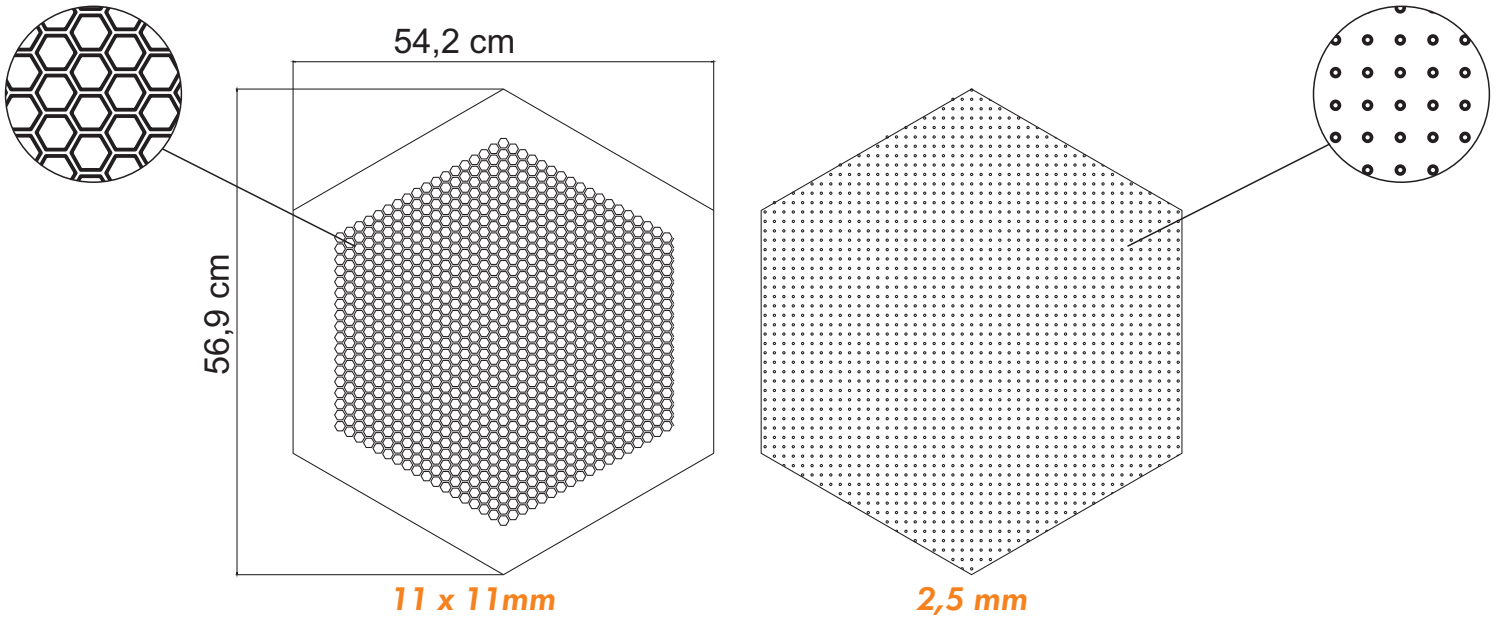
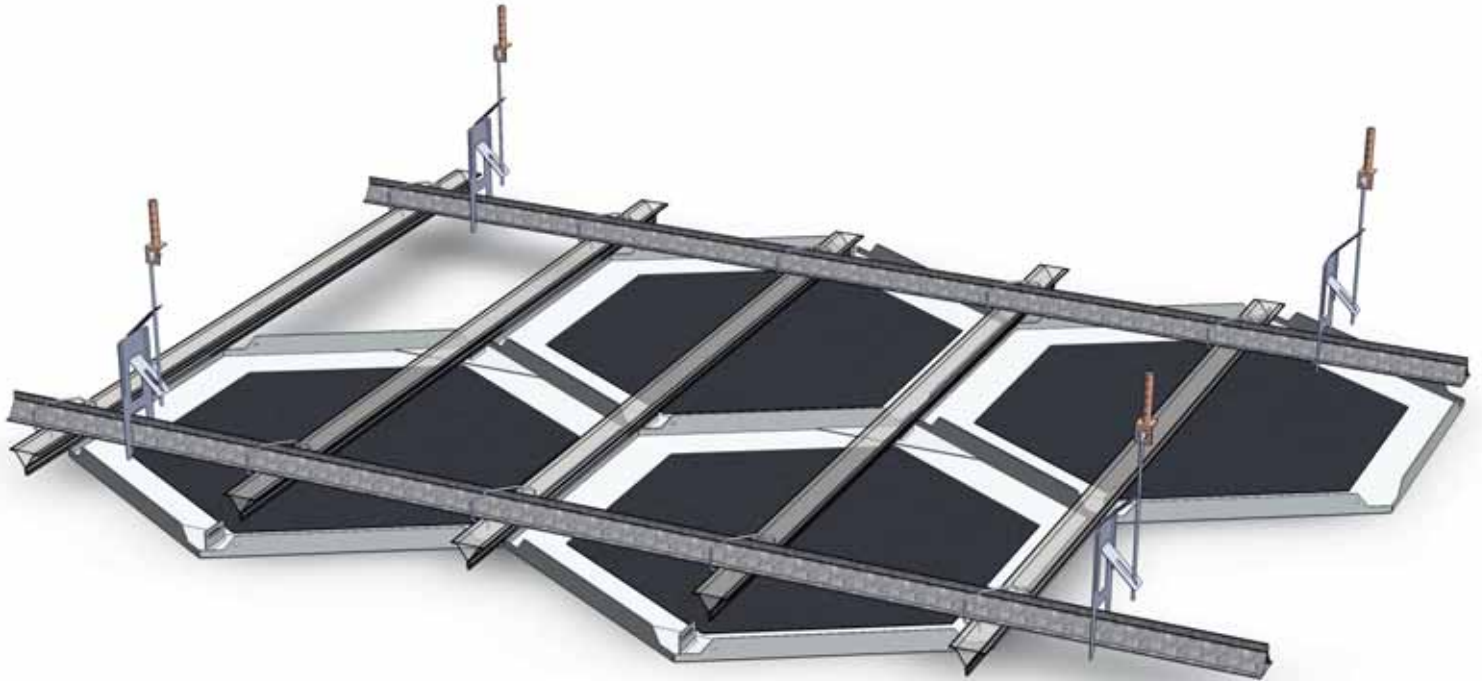


Honeycomb , has hexagon form and it's integrated to clip-in system. Hexagon panels comes with hexagon perforation and it has an estetic view. The panel perforation is available with 2,5mm full perforation. The standart dimensions which you can see in the drawing , can be designed by your project.



RAW MATERIAL	THICKNESS	SIZE	Ø PERFORATION	SYTEM
Steel	0,50 mm- 0,70 mm	570 x 495 mm	2,5 mm - Circular Perf. 11x11 - Hexagon Perf.	Clip-in